

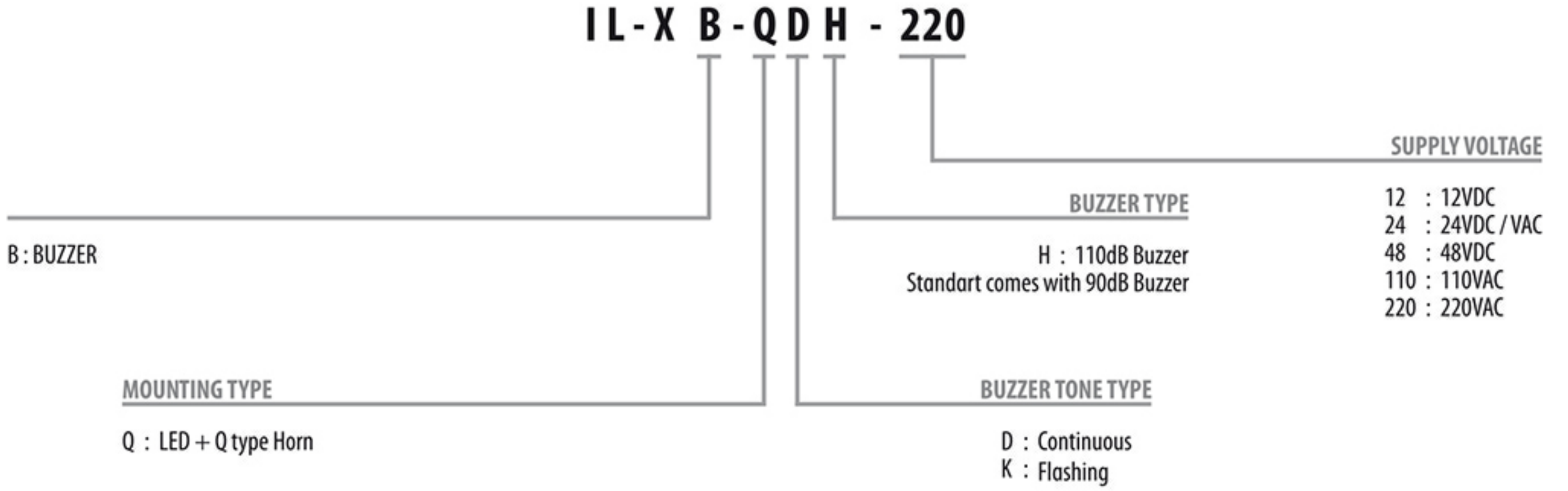
IL-X....-Q series Ø67 Horn Combination



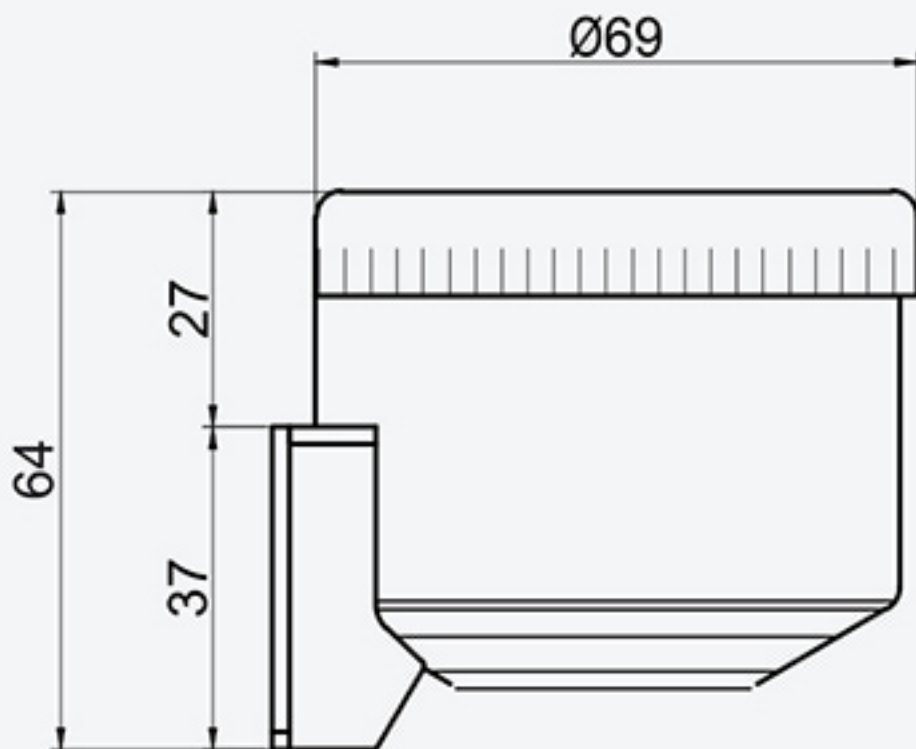
Technical data - Electrical ratings

| | |
|----------------------------------|---|
| Voltage supply | 12VDC to 24VDC 24VAC, 110VAC, 220VAC |
| Consumption w/o load with buzzer | 1-2W |
| Buzzer output | 90dB 110dB optional |
| Dimensions | 69 x 64mm |
| Weight approx | 140g |
| Base material | abs |
| Connection | Cable |
| Buzzer tone type | Continuous or flashing |
| Protection | IP65 |

Code key



Technical drawings



ILX-Q series electrical connections

