

IL-X....- T7 series Ø67 1 color

12



CE



Temperature



High IP value



Shock / Vibration resistant



Magnetic field proof



SMD LED Light

Technical data - Electrical ratings

Voltage supply	12VDC to 24VDC 24VAC, 110VAC, 220VAC
Signal type	Continuous (S) Strobe (Ç) Flashing (F) Rotation (D)
Consumption w/o load with buzzer	1-2W
Buzzer output	90dB
Dimensions	75 x 67 x 160mm
Weight approx	180g
Housing material	polycarbonate
Base material	abs
Connection	Cable
Buzzer tone type	Continuous or flashing
Protection	IP54 / IP65

Mounting options



IL-XKT10
Mounting bracket



IL-XML10
Mounting bracket



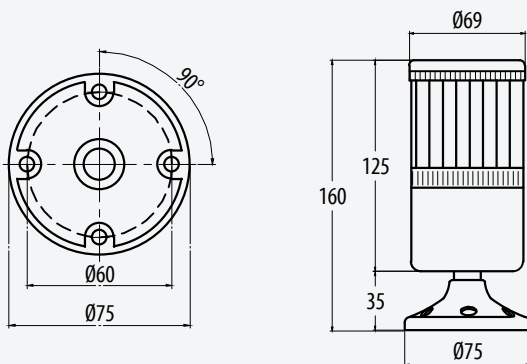
IL-XKV10
Mounting bracket



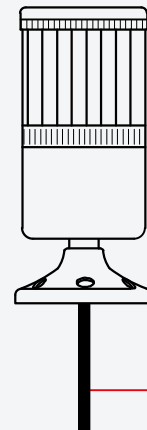
IL-XKL10
Mounting bracket

For further information please see page 38

Technical drawings



IL-X...-T7 series electrical connections



See page 7

○ Kırmızı / Red (+)
○ Siyah / Black (-)