

IL-X....- VT12 series Ø120 power LED design

26



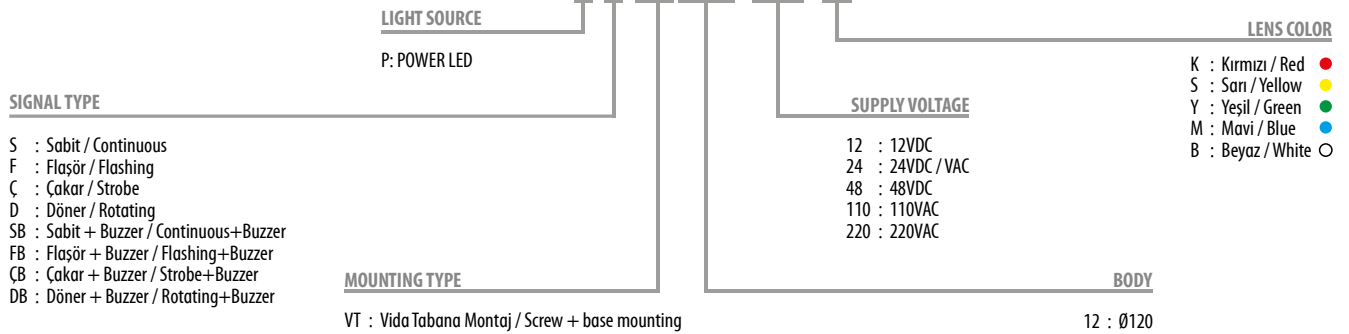
CE

Technical data - Electrical ratings

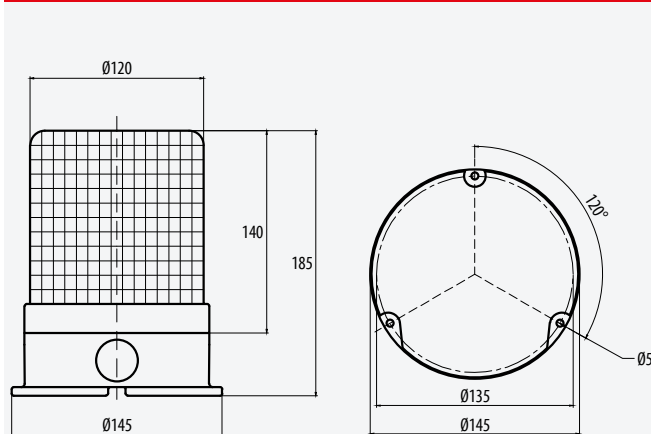
Voltage supply	12VDC to 24VDC 24VAC, 110VAC, 220VAC
Signal type	Continuous (S) Strobe (Ç) Flashing (F) Rotation (D)
Consumption w/o load with buzzer	1-2W
Buzzer output	90dB 110dB optional
Dimensions	145 x 120 x 180mm
Weight approx	350g
Housing material	abs
Base material	abs
Connection	Cable or M12 connector
Buzzer tone type	Continuous or flashing
Protection	IP54 / IP65

Code key

IL - X P F - VT 12 - 220 K



Technical drawings



ILX-VT12 series electrical connections

